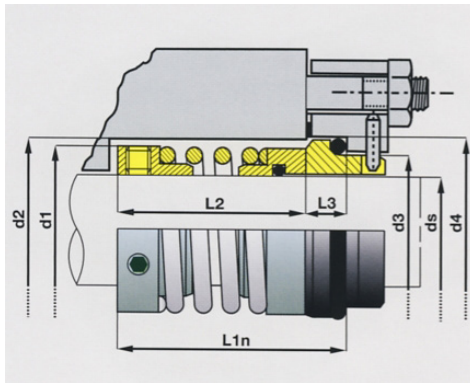





STYLE 531

ROTARY MECHANICAL SEAL WITH HEAVY DUTY SPRING
TENUTA MECCANICA ROTANTE CON MOLLA RINFORZATA
SELLO MECÁNICO ROTATIVO CON MUELLE REFORZADO



 Rotary pusher type mechanical seal with cylindrical heavy duty spring. The open design of the spring avoids accumulation of solids, the flexible drive tolerates shaft misalignment and keeps always faces contact without driving pins. Available in balanced design.

 Tenuta meccanica rotante con molla cilindrica di grandi dimensioni quale elemento di spinta. Le sue caratteristiche di estrema robustezza, di elevata capacità di assorbire disassamenti anche notevoli, la molla autopulente e la disponibilità di misure per alberi di grande diametro, ne fanno uno strumento indispensabile per l'industria di processo. Disponibile anche in versione bilanciata.

 Cierre mecánico giratorio con gran resorte cilíndrico como elemento de empuje. Sus características de extrema robustez, alta capacidad para absorber incluso desalineaciones considerables, el resorte autolimpiante y la disponibilidad de tamaños para ejes de gran diámetro lo convierten en una herramienta indispensable para la industria de procesos. También disponible en versión equilibrada.

| TECHNICAL DATA / DATI TECNICI | |
|---|--|
| Metal parts <i>Parti metalliche</i> | F - G |
| Springs <i>Molle</i> | G - M |
| Sliding face <i>Faccia di strisciamento</i> | B - G - Q22 - U22 |
| Bellows <i>Soffietto</i> | K - M5 - P - E - V |
| Max speed <i>Velocità max</i> | 20 m/sec |
| Max pressure** <i>Pressione max**</i> | 16 bar* |
| Temp max | Upon elastomers <i>Secondo elastomeri</i> |
| *Drawing with Style 108 mating ring **It may change upon shaft size *Disegno con stazionario Style 108 **Variabile in dipendenza al diametro | |

| ds | d1 | d2 | d3 | d4 | L1n | L2 | L3 |
|-----|-------|-------|-------|-------|-------|-------|------|
| mm. | mm. | mm. | mm. | mm. | mm. | mm. | mm. |
| 15 | 29.0 | 30.5 | 24.3 | 26.0 | 46.7 | 36.7 | 10.0 |
| 20 | 34.5 | 36.0 | 39.0 | 35.0 | 48.8 | 37.3 | 11.5 |
| 25 | 41.0 | 43.0 | 33.8 | 40.0 | 51.5 | 40.0 | 11.5 |
| 30 | 45.5 | 47.5 | 38.6 | 45.0 | 53.1 | 41.6 | 11.5 |
| 35 | 50.0 | 52.0 | 43.5 | 50.0 | 59.5 | 48.0 | 11.5 |
| 40 | 55.0 | 57.0 | 48.1 | 58.0 | 62.0 | 48.0 | 14.0 |
| 45 | 60.0 | 62.0 | 53.0 | 63.0 | 62.0 | 48.0 | 14.0 |
| 50 | 66.0 | 69.0 | 59.5 | 70.0 | 64.1 | 59.1 | 15.0 |
| 55 | 71.0 | 74.0 | 64.0 | 75.0 | 75.7 | 60.7 | 15.0 |
| 60 | 77.0 | 80.0 | 70.5 | 80.0 | 78.8 | 63.8 | 15.0 |
| 65 | 82.0 | 86.0 | 75.2 | 85.0 | 82.0 | 67.0 | 15.0 |
| 70 | 88.0 | 92.0 | 80.0 | 92.0 | 85.0 | 67.0 | 18.0 |
| 75 | 92.0 | 96.0 | 85.0 | 97.0 | 88.8 | 71.8 | 18.0 |
| 80 | 99.5 | 104.5 | 92.5 | 105.0 | 96.3 | 78.1 | 18.2 |
| 85 | 105.5 | 109.5 | 99.0 | 110.0 | 96.3 | 78.1 | 18.2 |
| 90 | 110.5 | 115.5 | 104.0 | 115.0 | 101.1 | 82.9 | 18.2 |
| 95 | 115.5 | 120.5 | 108.5 | 120.0 | 100.1 | 82.9 | 17.2 |
| 100 | 121.0 | 126.0 | 113.5 | 125.0 | 100.1 | 82.9 | 17.2 |
| 105 | 129.0 | 135.0 | 121.0 | 134.3 | 109.2 | 89.2 | 20.0 |
| 110 | 134.0 | 140.0 | 126.0 | 140.3 | 109.2 | 89.2 | 20.0 |
| 115 | 139.0 | 145.0 | 130.7 | 148.3 | 109.2 | 89.2 | 20.0 |
| 120 | 144.0 | 150.0 | 137.0 | 150.3 | 115.5 | 95.5 | 20.0 |
| 125 | 149.0 | 155.0 | 142.0 | 154.3 | 118.0 | 98.0 | 20.0 |
| 130 | 156.5 | 163.5 | 146.5 | 158.3 | 120.0 | 100.0 | 20.0 |
| 135 | 162.0 | 169.0 | 151.5 | 164.3 | 122.0 | 102.0 | 20.0 |
| 140 | 169.0 | 178.0 | 156.0 | 168.3 | 125.0 | 105.0 | 20.0 |
| 145 | 178.0 | 185.0 | 167.5 | 173.3 | 133.3 | 113.3 | 20.0 |
| 150 | 184.0 | 191.0 | 172.5 | 180.3 | 139.3 | 117.3 | 22.0 |
| 160 | 194.0 | 202.0 | 182.5 | 190.3 | 142.3 | 128.3 | 24.0 |
| 170 | 204.0 | 212.0 | 192.5 | 200.3 | 142.3 | 128.3 | 24.0 |
| 180 | 214.0 | 222.0 | 203.0 | 219.3 | 161.3 | 133.3 | 28.0 |
| 190 | 224.0 | 232.0 | 213.0 | 229.3 | 161.3 | 133.3 | 28.0 |


SEALTEK s.r.l.
www.sealtek.com
info@sealtek.com

All technical specifications contained in these technical data sheets are intended as guidelines. Sealtek s.r.l. must be informed about the precise conditions of application so that detailed information relating to specific cases can be provided. 06-2024