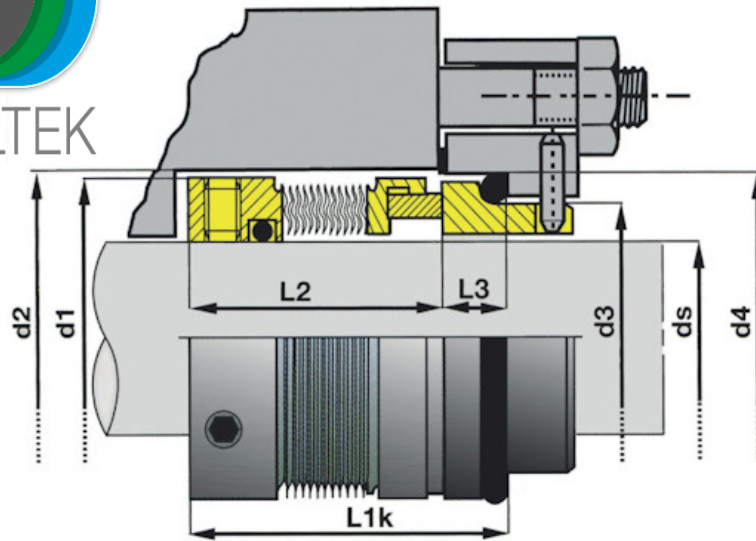


STYLE 580

METAL BELLOWS ROTARY MECHANICAL SEAL
TENUTA MECCANICA ROTANTE A SOFFIETTO METALLICO
SELLO MECÁNICO ROTATORIO CON FUELLE METÁLICO



d (mm)	d1 mm	d2 mm	d3 mm	d4 mm	L1 mm	L2 mm	L3 mm
20	34,0	36,0	28,6	35,1	35,5	25,5	10,0
22	36,0	38,0	30,6	37,1	35,5	25,5	10,0
24	38,0	40,0	32,6	39,1	38,0	28,0	10,0
25	39,0	41,0	33,6	40,1	38,0	28,0	10,0
28	42,0	44,0	36,7	43,1	40,5	30,5	19,0
30	44,0	46,0	38,6	45,1	40,5	30,5	19,0
32	46,0	48,0	41,6	48,1	41,5	30,5	11,0
33	47,0	49,0	41,6	48,1	41,5	30,5	11,0
35	49,0	51,0	43,6	50,1	41,5	30,5	11,0
38	52,5	56,0	48,6	56,1	44,0	32,0	12,0
40	54,5	58,0	50,6	58,1	44,0	32,0	12,0
43	58,0	62,0	53,6	61,1	44,0	32,0	12,0
45	60,0	64,0	55,6	63,1	44,0	32,0	12,0
48	63,0	67,0	58,6	66,1	44,0	32,0	12,0
50	66,0	70,0	61,6	70,1	47,0	34,0	13,0
53	69,0	73,0	64,6	73,1	47,0	34,0	13,0
55	71,0	75,0	66,6	75,1	47,0	34,0	13,0
58	74,0	78,0	69,6	78,1	52,0	39,0	13,0
60	76,5	80,0	71,6	80,1	52,0	39,0	13,0
63	79,5	84,0	74,6	83,1	52,0	39,0	13,0
65	81,5	85,0	76,6	85,1	52,0	39,0	15,3
70	88,0	92,0	82,5	92,1	60,8	45,5	15,3
75	93,5	98,0	87,5	97,1	60,8	45,5	15,7
80	98,5	103,0	94,6	105,1	60,7	45,0	15,7
85	105,0	110	99,6	110	60,7	45	15,7
90	110,0	115	104,6	115	65,7	50	15,7
95	115,0	120	109,6	120	65,7	50	15,7
100	120,0	125	114,6	125	65,7	50	15,7

Imperial sizes also available upon request

STYLE 580 - 581	
Materiali / Materials / Werkstoffe	
Soffietto metallico Metal Bellows Metallbalg	Style 580: T6 Style 581: M5
Anello di bloccaggio Retainer Ring Halter	Style 580: G Style 581: M5
Facce di Tenuta Sliding Faces Gleitflächen	A - B - Q1 - Q2 - U22
Anello di contenimento Hub Gleitringhalter	Style 580: G Style 581: M5
O-Ring	E - V - K - M5
Dati Tecnici / Technical Data / Technische Daten	
Pressione Pressure Druck	40 bar
Temperatura Temperature Temperatur	Secondo elastomero Upon elastomer Bei Elastomer
Velocità max. Speed Geschwindigkeit	15 m/sec
Dimensioni Dimensions Lagergrößen	20 -100 mm / 3/4" - 4" **
** Altre misure sono disponibili su richiesta / Other sizes available upon request / Andere Größen auf Anfrage erhältlich	


SEALTEK s.r.l.
www.sealtek.com
info@sealtek.com

All technical specifications contained in these technical data sheets are intended as guidelines. Sealtek s.r.l. must be informed about the precise conditions of application so that detailed information relating to specific cases can be provided.

06-2024