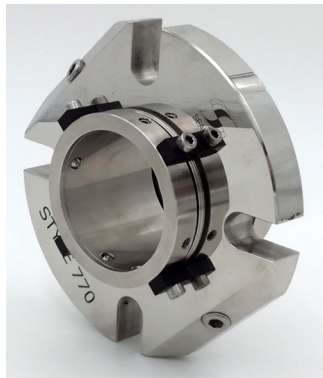
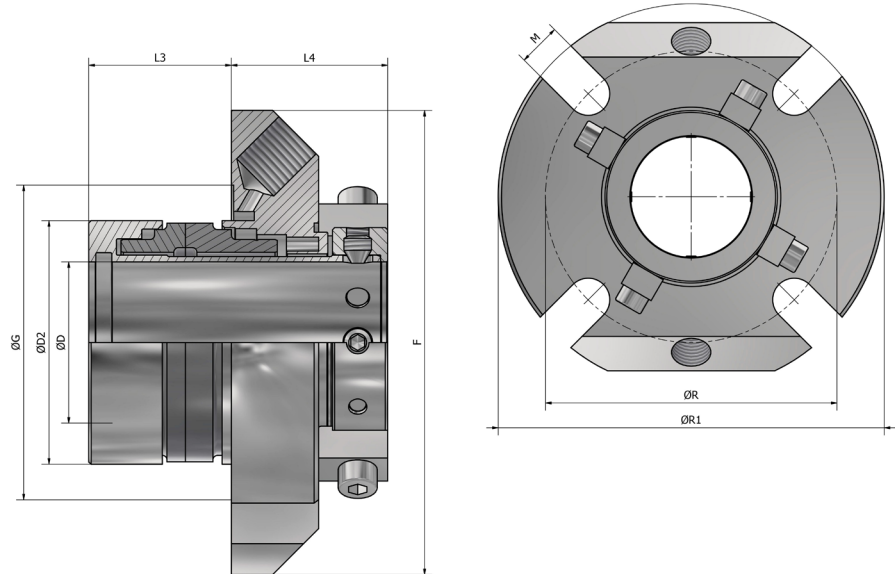


STYLE 770

SINGLE CARTRIDGE MOUNTED STATIONARY BALANCED SEAL WITH FLUSH
 TENUTA SINGOLA STAZIONARIA A CARTUCCIA BILANCIATA CON FLUSSAGGIO
 SELLO DE CARTUCHO EQUILIBRADO ESTACIONARIO ÚNICO CON ENJUAGUE



D	D	R	R1	M	L3	D2	G	L4
mm	inch	mm	mm	mm	mm	mm	mm	mm
24,0	-	73,0	103,0	12,5	30,0	42,2	58,0	38,0
25,0	1.000	73,0	103,0	12,5	30,0	42,2	58,0	38,0
28,0	1.125	78,0	105,0	12,5	30,0	43,0	61,0	38,0
30,0	-	79,5	105,0	12,5	30,0	45,0	63,0	38,0
32,0	1.250	82,5	108,0	12,5	30,0	48,5	65,5	38,0
33,0	-	82,5	108,0	12,5	30,0	48,5	65,5	38,0
35,0	1.375	84,5	112,0	12,5	30,0	50,0	68,0	38,0
38,0	1.500	87,0	118,0	12,5	30,0	53,0	72,0	38,0
40,0	-	90,0	124,0	12,5	30,0	54,8	73,0	38,0
42,0	-	96,0	140,0	14,5	30,0	58,0	75,5	38,0
43,0	1.625	96,0	140,0	14,5	30,0	58,0	75,5	38,0
45,0	1.750	96,0	140,0	14,5	30,0	60,0	77,8	38,0
48,0	1.875	96,0	144,0	14,5	30,0	63,0	81,0	36,5
50,0	2.000	101,0	148,0	14,5	30,0	64,9	82,8	38,0
53,0	2.125	109,5	150,0	17,5	30,0	70,0	87,0	38,0
55,0	-	109,5	150,0	17,5	30,0	70,0	87,0	38,0
58,0	-	119,5	157,0	17,5	29,5	75,0	93,0	38,5
60,0	2.250	119,5	157,0	17,5	29,5	75,0	93,0	38,5
-	2.375	119,5	157,0	17,5	29,5	75,0	93,0	38,5
63,0	2.500	126,5	165,0	17,5	32,0	81,3	101,5	38,0
65,0	-	126,5	165,0	17,5	32,0	81,3	101,5	38,0
68,0	2.625	128,5	170,0	17,5	32,0	86,4	107,0	38,0
70,0	2.750	128,5	170,0	17,5	32,0	86,4	107,0	38,0
-	2.875	146,0	185,0	17,5	38,0	93,0	120,5	45,0
75,0	-	146,0	185,0	17,5	38,0	93,0	120,5	45,0
-	3.000	152,5	190,0	17,5	38,0	98,0	130,0	45,0
80,0	3.125	152,5	190,0	17,5	38,0	98,0	130,0	45,0
-	3.250	165,5	210,0	20,5	38,0	103,0	132,8	45,0
85,0	3.375	165,5	210,0	20,5	38,0	103,0	132,8	45,0
90,0	3.500	170,5	210,0	20,5	38,0	108,0	140,8	45,0
-	3.625	172,0	215,0	20,5	38,0	113,0	140,8	45,0
95,0	3.750	172,0	215,0	20,5	38,0	113,0	140,8	45,0
100,0	3.875	177,0	220,0	20,5	37,0	118,5	146,5	45,0

TECHNICAL DATA / DATI TECNICI

Metal parts <i>Parti metalliche</i>	G*
Elastomers <i>Elastomeri</i>	M1 - K - X1 - X*
Sliding faces <i>Facce di tenuta</i>	A - V2 - Q1 - Q2
Springs <i>Molle</i>	M5
Pressure <i>Pressione</i>	Vacuum/Vuoto 700 mm Hg ÷ 25 Kg/cm ^{3**}
Temp	Upon elastomers <i>Secondo elastomeri</i>
Speed <i>Velocità</i>	25 m/sec Upon sliding faces material <i>Secondo materiale delle facce</i>
Dimensions <i>Dimensioni</i>	25-100 mm/1-4" ***
*Other materials, available upon request <i>*Altri materiali disponibili su richiesta</i>	
Upon shaft diameter and speed <i>Variabile in dipendenza al diametro e alla velocità</i>	
Other sizes available up to 190mm <i>Altre misure sono disponibili fino a 190mm</i>	


SEALTEK s.r.l.
 www.sealtek.com
 info@sealtek.com

All technical specifications contained in these technical data sheets are intended as guidelines. Sealtek s.r.l. must be informed about the precise conditions of application so that detailed information relating to specific cases can be provided.

06-2024